

## Product Setup Instructions

Original Twist •

Easi Link Kit •

Flexi Link Kit •

Media Twist •

32" Media Twist •

Flat End Cap •

Curved End Cap •

### **Twist Counter •**

Double Hardcase Conversion •

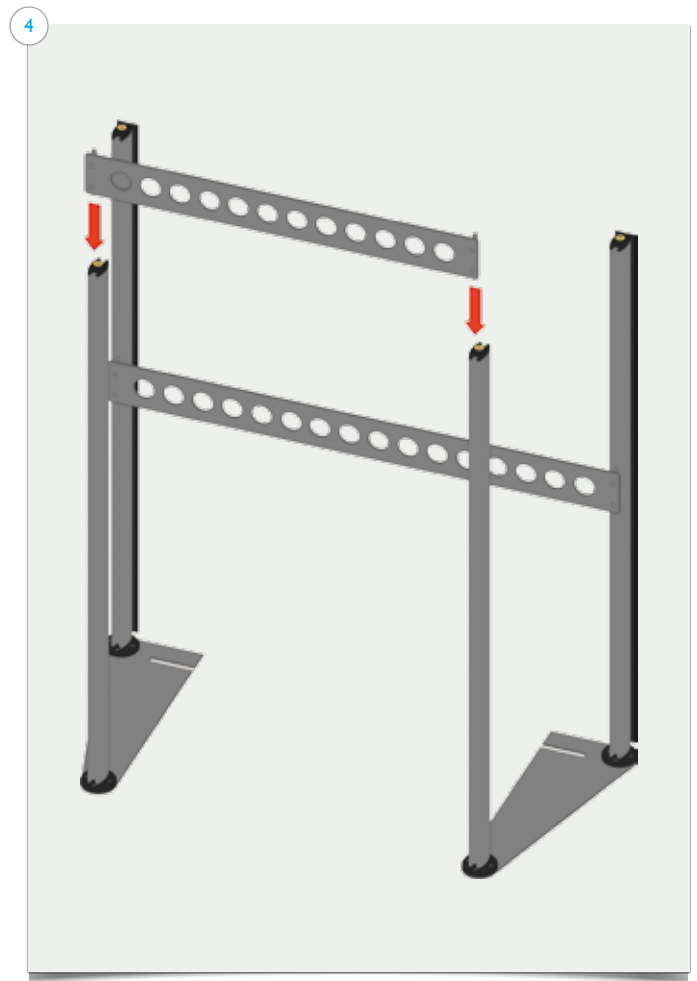
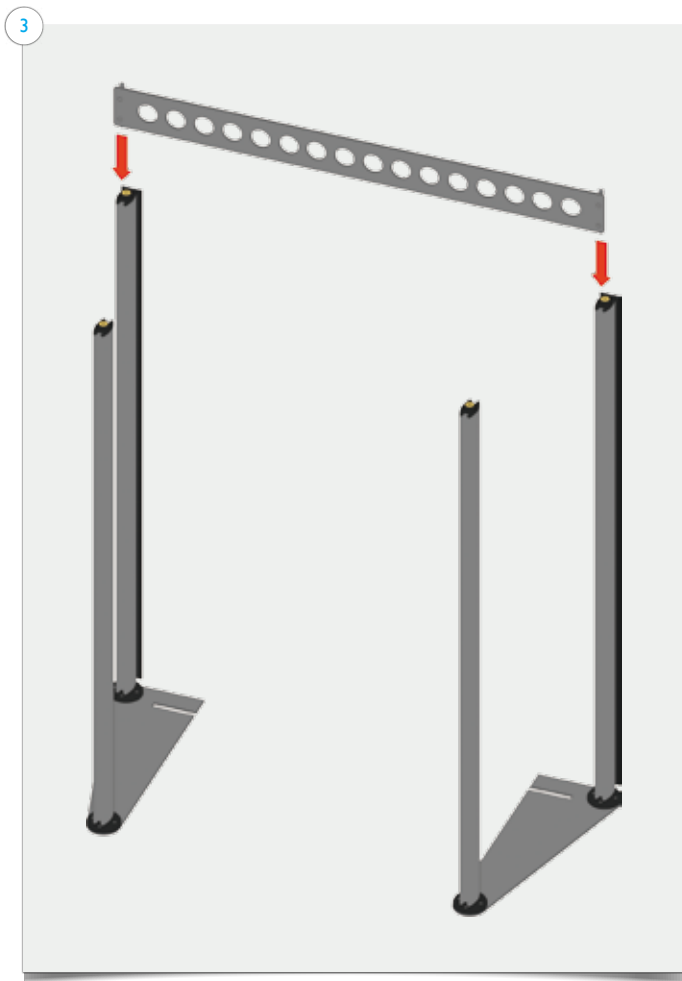
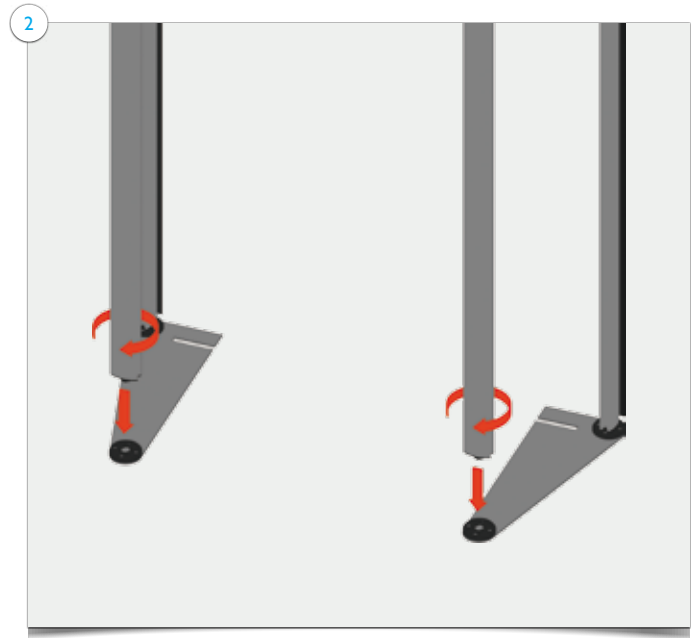
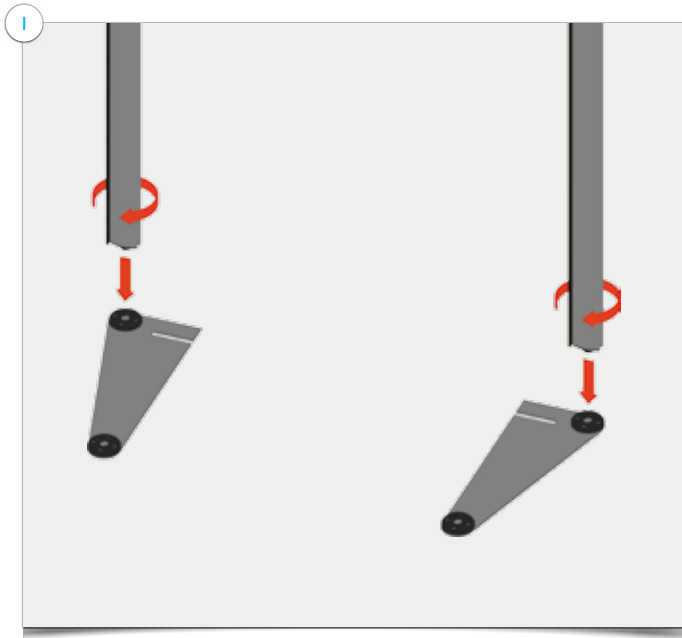
Single Hardcase Conversion •

Twist Shelf •



## Items

Items: 2x counter feet; 4x upright sections; 2x crossbars; 1x counter top; 4x screws; 1x Allen key; 1x counter graphic.



Part2  
Twist Counter Setup Instructions

